

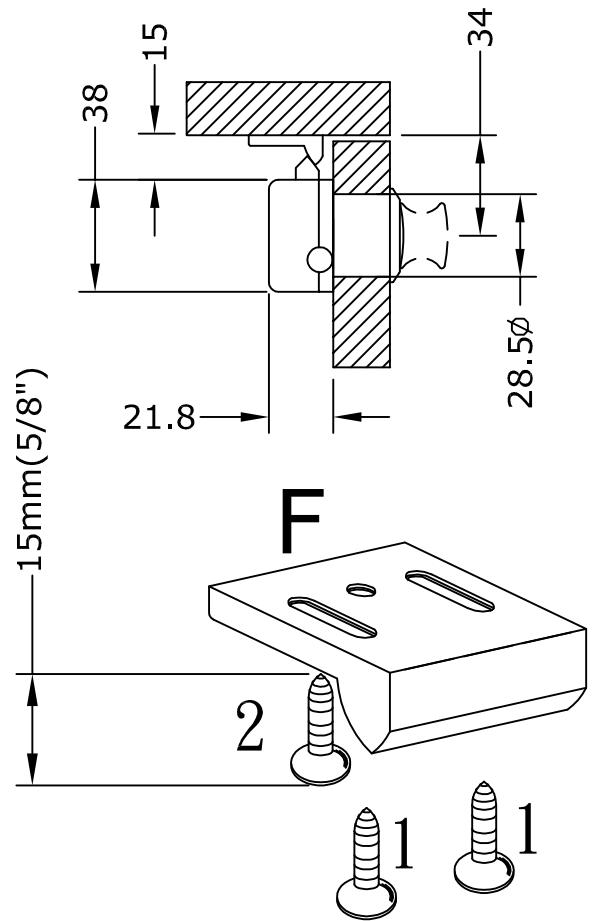
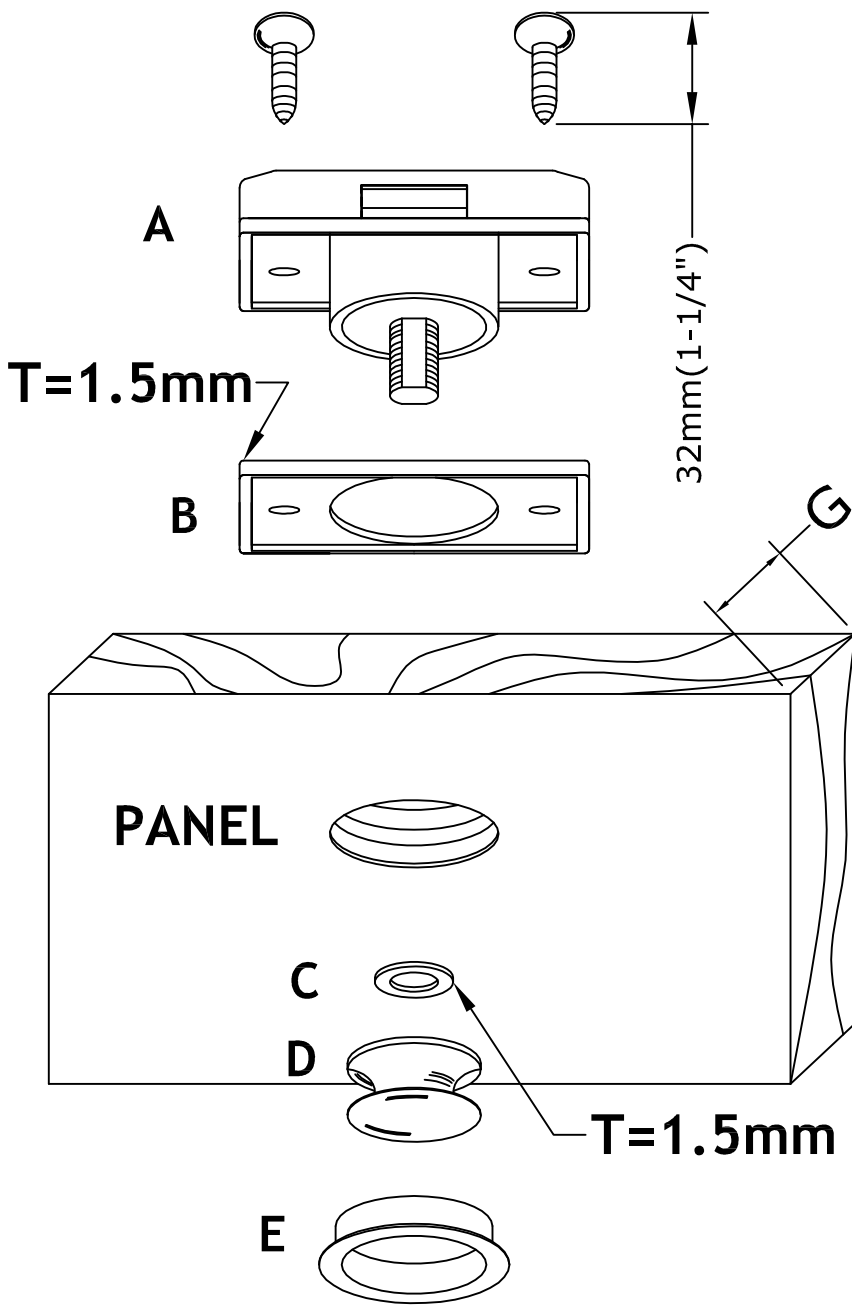


MAN SHIP

CABINET LATCH

How To Use It:

To install cabinet latch(A,B,C & D)on panel first,
then take C & D out and kept it with E.
once the painting of panel is finished,
please install C,D & E to A,B to avoid scrape.



To fix bolt #1 to panel F and adjust F to a suitable location. To prevent movement, so the bolt #2 need to be screwed.

Necessary parts:

If panel thickness (G) is 1/2",pls use B 4pcs.

If panel thickness (G) is 5/8",pls use B 2pcs.

If panel thickness (G) 3/4" is of standard size,so not need to use B & C.

✳ If panel thickness is 7/8",pls use C 2pcs.

If panel thickness is 1",pls use C 4pcs.