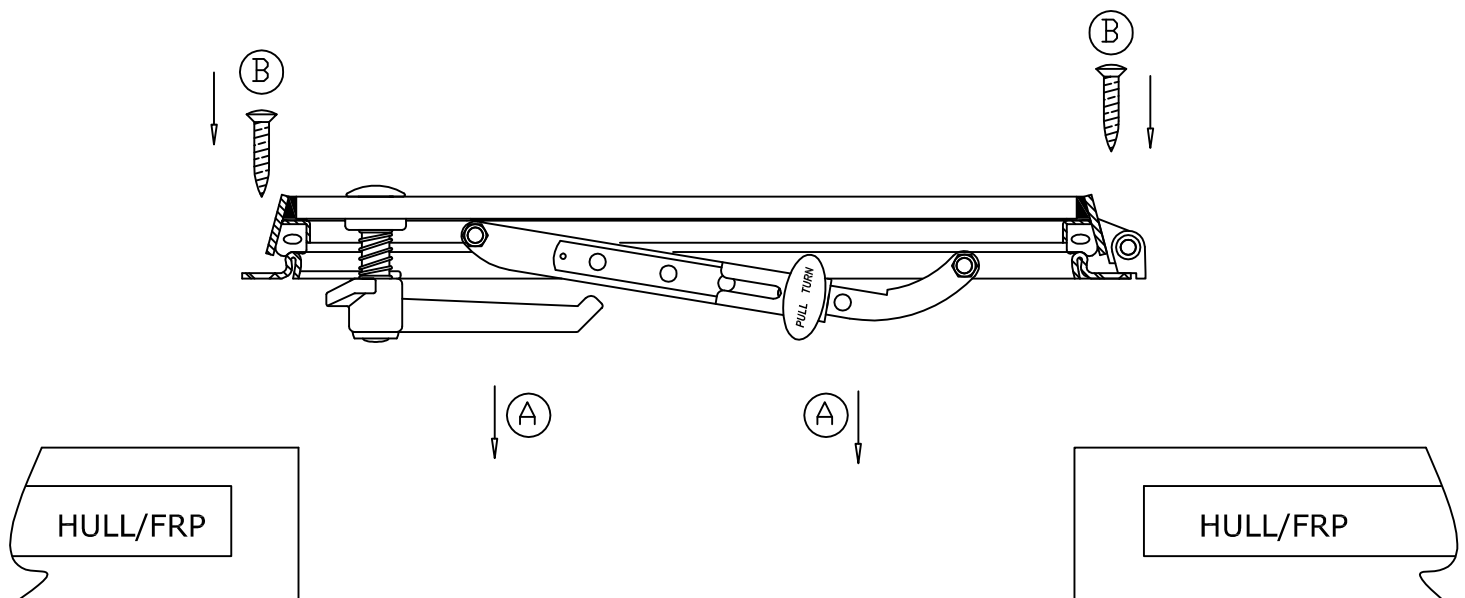


DECK HATCH



INSTALLATION:

1. DIG THE HOLE PER THE SPECIFICATION FOR CUT SIZE OF HATCH IN HULL WALL OR DECK.
2. FULL-FILL SEAL COMPOUND ON THE POSITION "A". HATCH TO BE INSTALLED ON DECK DOWN , OR OUTSIDE BOAT INSTALL HATCH TOWARD INSIDE. AND SCREW BOLT (B) INTO HULL.