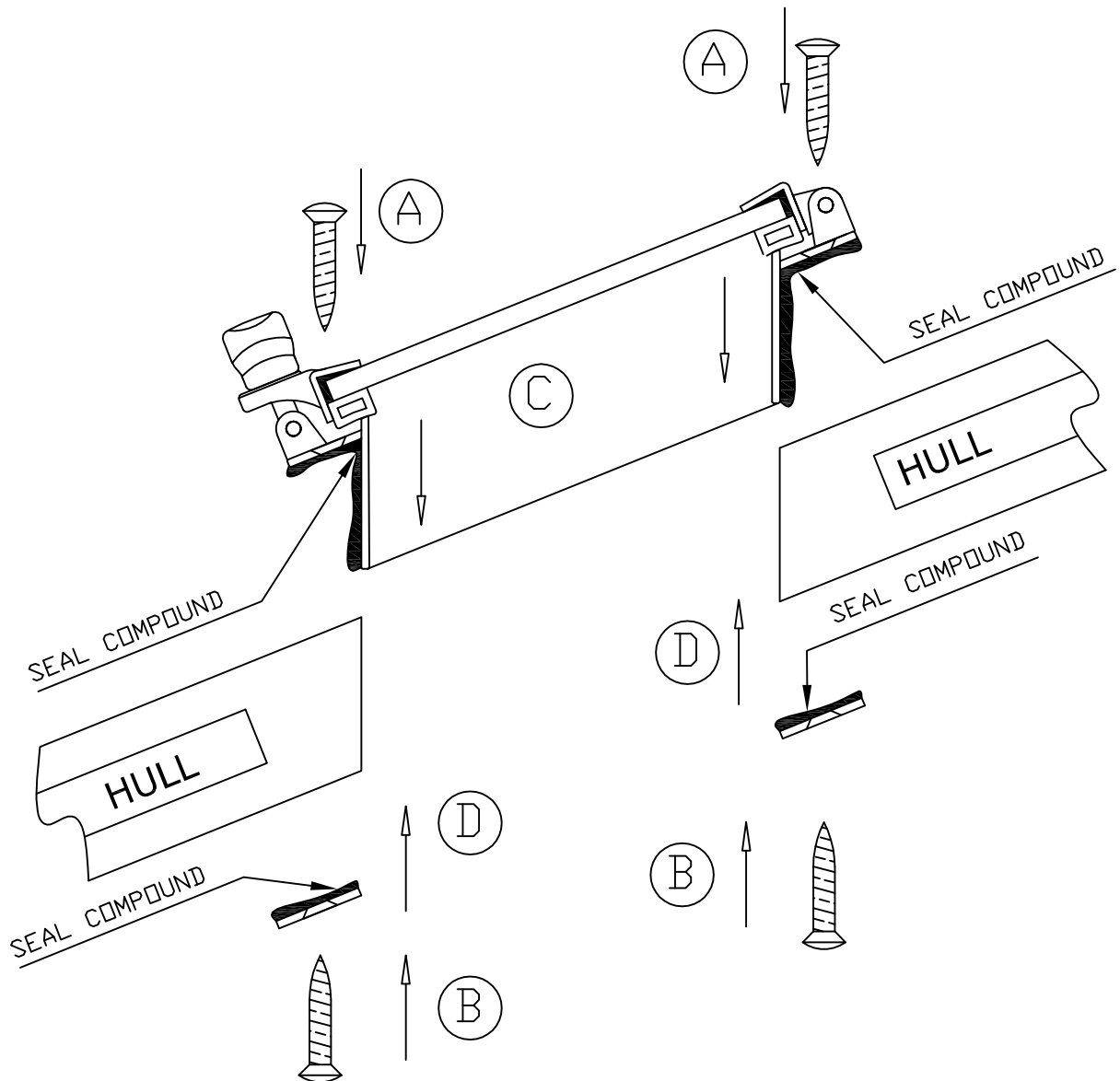


RECTANGULAR, ROUND & OVAL PORTLIGHT

(HAND MADE, W/O STORM COVER, ANGLED SPIGOT)



INSTALLATION:

1. DIG HOLE PER THE SPECIFICATION FOR CUT OUT SIZE OF PORTLIGHT IN HULL WALL.
2. FULL-FILL SEAL COMPOUND IN THE POSITION "C". INSIDE BOAT INSTALL PORTLIGHT TOWARD OUTSIDE, THEN USE "C STYLE CLAMP" FASTEN IT, AFTER SCREW BOLT (A) INTO HULL.
3. FULL-FILL SEAL COMPOUND IN THE POSITION "D" OF TRIM RING. OUTSIDE BOAT INSTALL PORTLIGHT TOWARD INSIDE. THEN SCREW BOLT (B) INTO HULL.